

25W and 50W (BK108) Solar Panel Bracket

Description

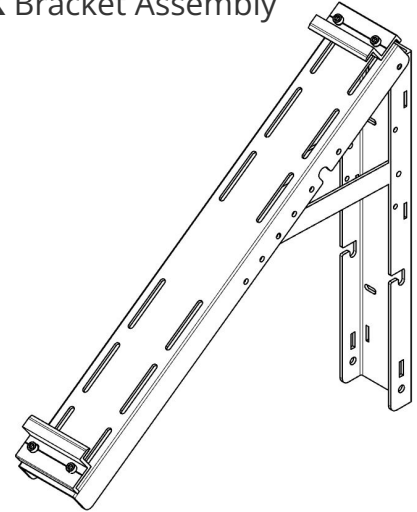
This solar panel bracket supports most 25 - 50 watt solar panels (max 32mm frame). The panel can be tilted from 0°-90° angle and can mount to both poles and flat surfaces. Compatible with V102 and V107 CORE solar batteries.

Tools Required

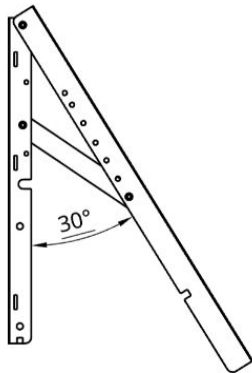
- ⊕ 5mm hex key (included)
- ⊕ Adjustable wrench
- ⊕ Steel straps and ratchet (pole mount) or Galvanized Steel [U-bolts](http://www.mcmaster.com/2936T38/) for 1.5" pole (www.mcmaster.com/2936T38/)

Parts List

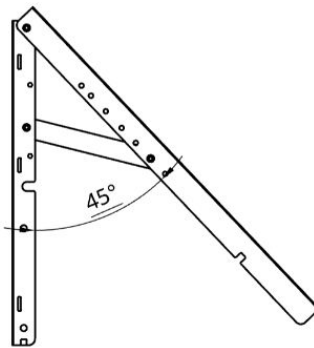
1X Bracket Assembly



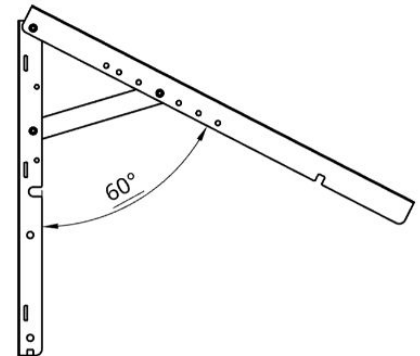
Step 1 - Adjust bracket angle to optimize for worst month of year by moving adjusting supports. Tighten bolts. Record this angle for tracking actual vs expected performance.



Northern US, Canada and Northern Europe

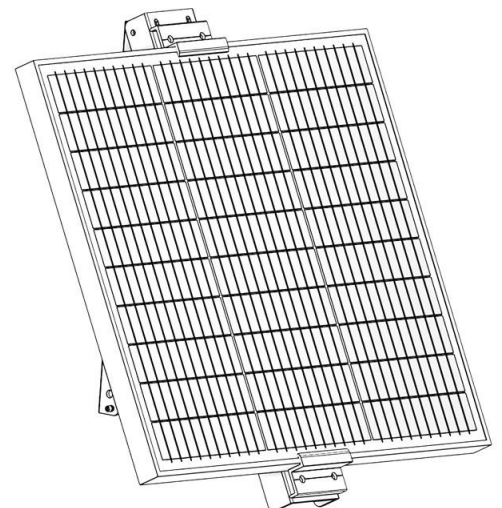
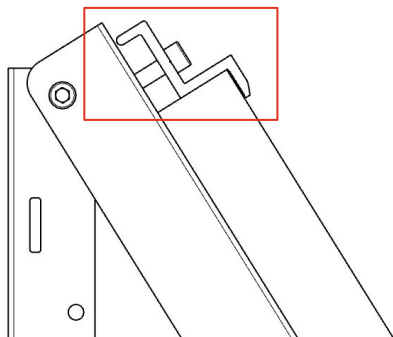


Central US and Southern Europe



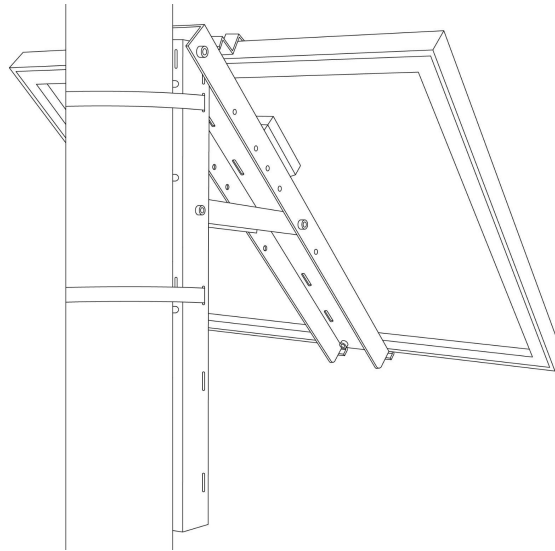
Southern US and Mexico

Step 2 - Secure the solar panel to the bracket using the two Z-clamps that are pre-assembled on the bracket. The clamps should fix onto the **top and bottom** of the solar panel frame.



We suggest testing with your battery and end device prior to mounting the bracket and panel.

Step 3 - Mount Bracket with steel straps or U-bolts and point due south (or north in southern hemisphere). Hose clamps have less durability than steel straps.



Step 4 (Optional) - Attach V102 (18Ah) or V107 (60Ah) battery to Bracket via the L brackets and 2 long bolts included with battery

