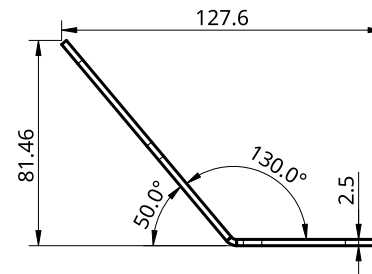
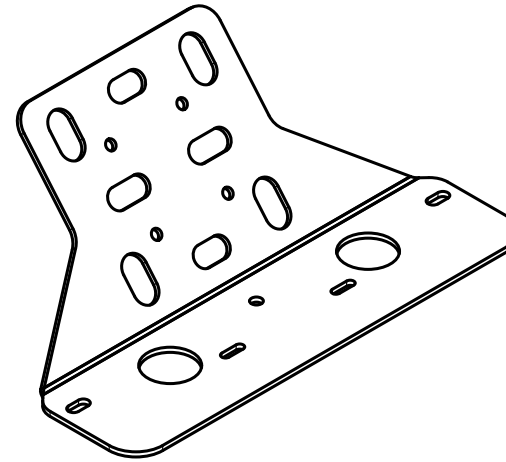


Slots added for V35 mounting hose clamps

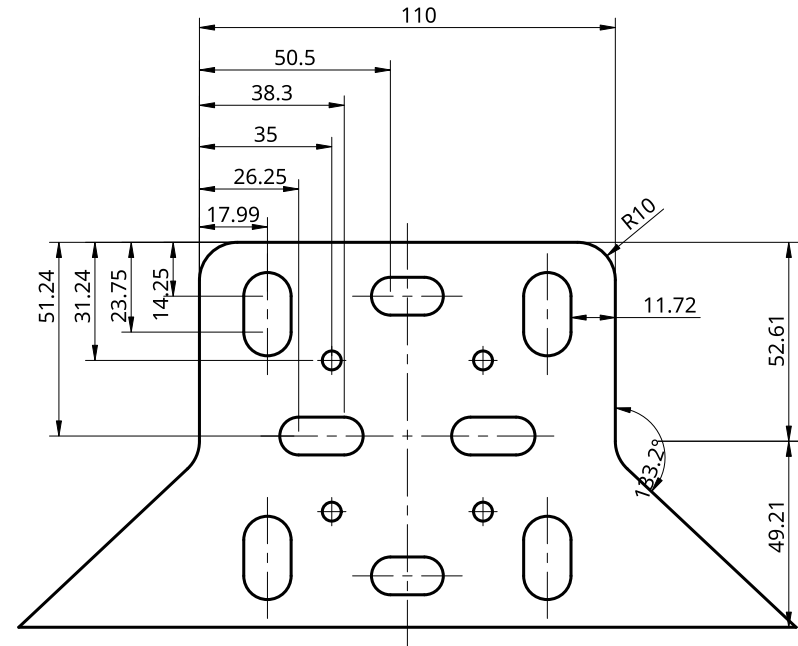
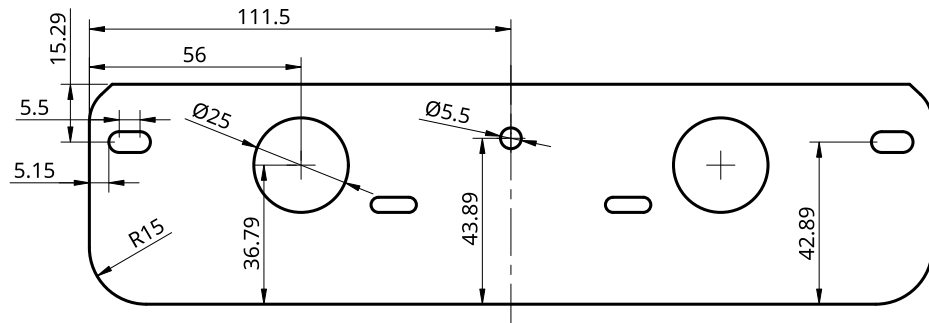


Braket

Part	BK102
Revision	R7D
Surface finish	NO ANNOIDIZING
Date Created	2022-03-30
Date Modified	2023-07-24
Engineer	ME
Approved	SM 2023-07-24
Tolerance: ± 0.3 mm	Units: mm
Scale: 1:3	Sheet: 1/2

NOTES:

1. Material: RoHS compliant 2.5mm 5052 Aluminum Sheet Metal
2. Surface Finish: None
3. All edges smoothed, deburred, degreased



Braket

Part	BK102
Revision	R7D
Surface finish	NOT ANNOIDIZED
Date Created	2022-03-30
Date Modified	2022-03-30
Engineer	ME
Approved	SM 2023-07-24
Tolerance: ± 0.3 mm	Units: mm
Scale: 1:3	Sheet: 2/2

NOTES:

1. Material: RoHS compliant 2.5mm 5052 Aluminum Sheet Metal
2. Surface Finish: None
3. All edges smoothed, deburred, degreased