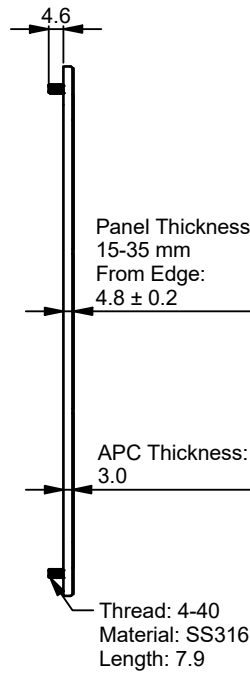
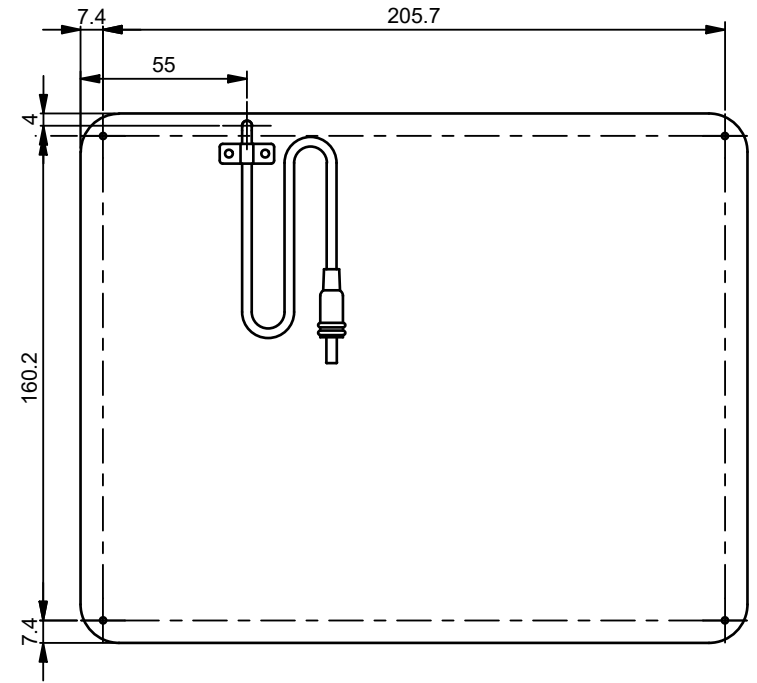


Front



Side

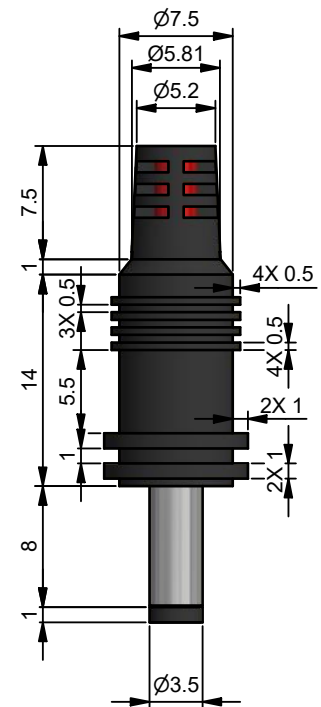
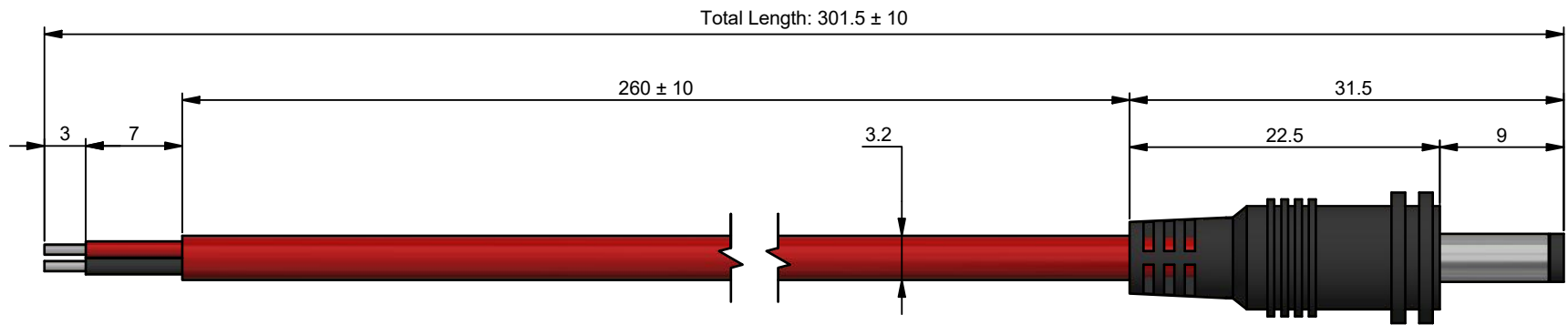


Back



Drawing Details		Construction		Power Specifications						
Panel Number:	P106	All Materials RoHS Compliant		Output Tolerance: ± 10% of Voltage and Current						
Revision:	R1A	Substrate:	Charcoal APC	Solar Cell: EEPV EE6E3C 3BB						
Engineer:	TK	Encapsulant:	Urethane	Nominal Efficiency: ≥ 19.5%	Cell Pieces: 12					
Checked By:	SM	Top Layer:	Urethane	Panel Electrical Ratings		Nominal	Expected			
Date Created:	2017-07-20	Wire Number:	W017	Open-Circuit Voltage	Voc	7.67	7.28	V		
Date Modified:	2019-06-13	Wire Length:	260 ± 10	Voltage at Max Power	Vp	6.50	6.18	V		
Changes:	Production Release	Strain Relief:	Metal Bracket	Short-Circuit Current	Isc	1.02	0.98	A		
Tolerance:	± 0.3	Units:	mm	Attachment:	4X 4-40 Screws	Current at Max Power	Ip	0.96	0.91	A
Scale:	1 : 2.5	Sheet:	1/2	Waterproof Rating:	IP67	Maximum Power	Wp	6.22	5.61	W

This document contains proprietary information and may not be copied or shared without the consent of Voltaic Systems



Drawing Details		Wire Details
Wire Number:	W017	All Materials RoHS Compliant
Revision:	R1A	Length: 260 ± 10
Engineer:	TK	Conductor Gauge: 22 AWG
Checked By:	SM	Connector: M3511
Date Created:	2014-03-18	Crimp: N/A
Date Modified:	2018-06-28	Jacket Color: Red
Changes:	N/A	Jacket Material: PU
Tolerance:	± 0.3	Units: mm
Scale:	2	Sheet: 2/2
		Insulator Colors: Black and Red
		Insulator Material: PVC