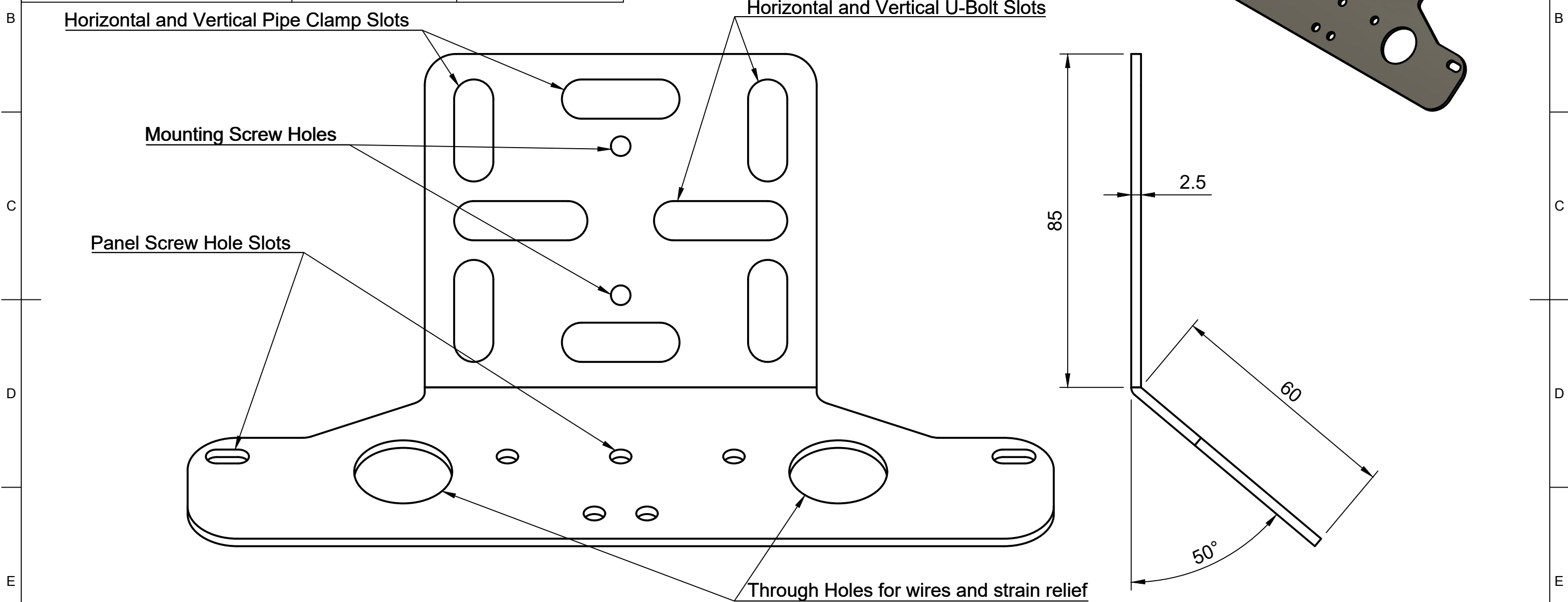
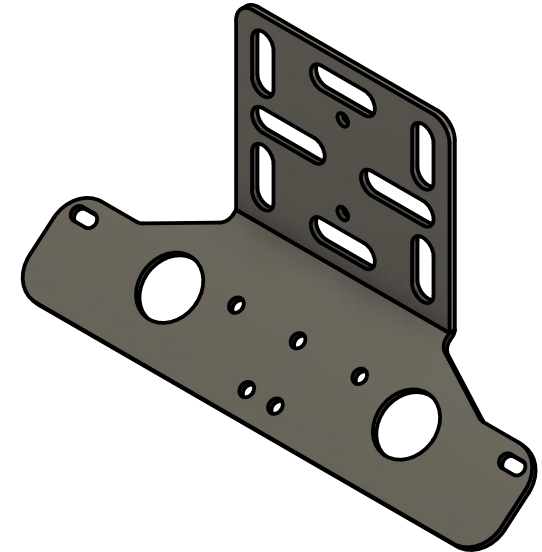


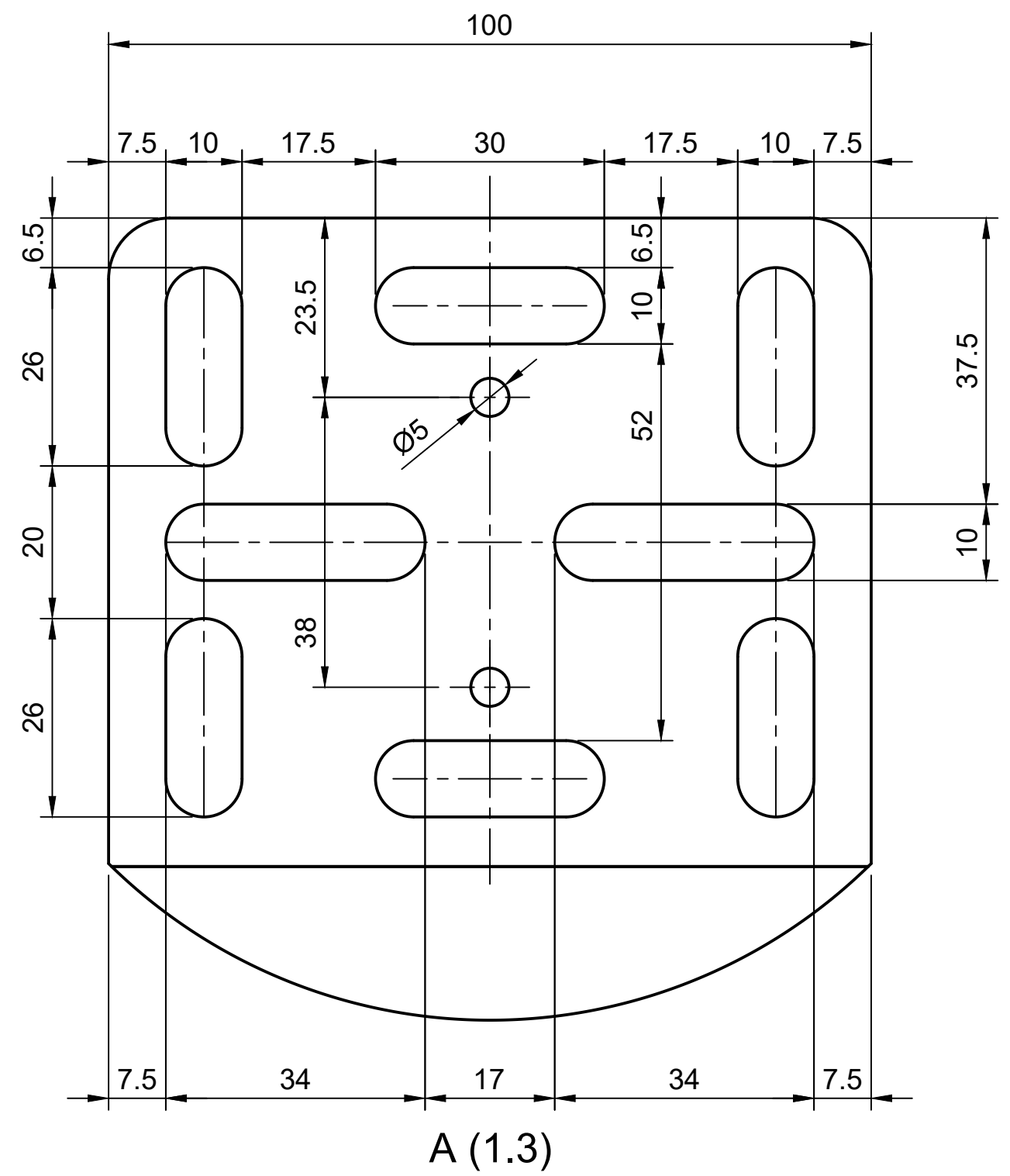
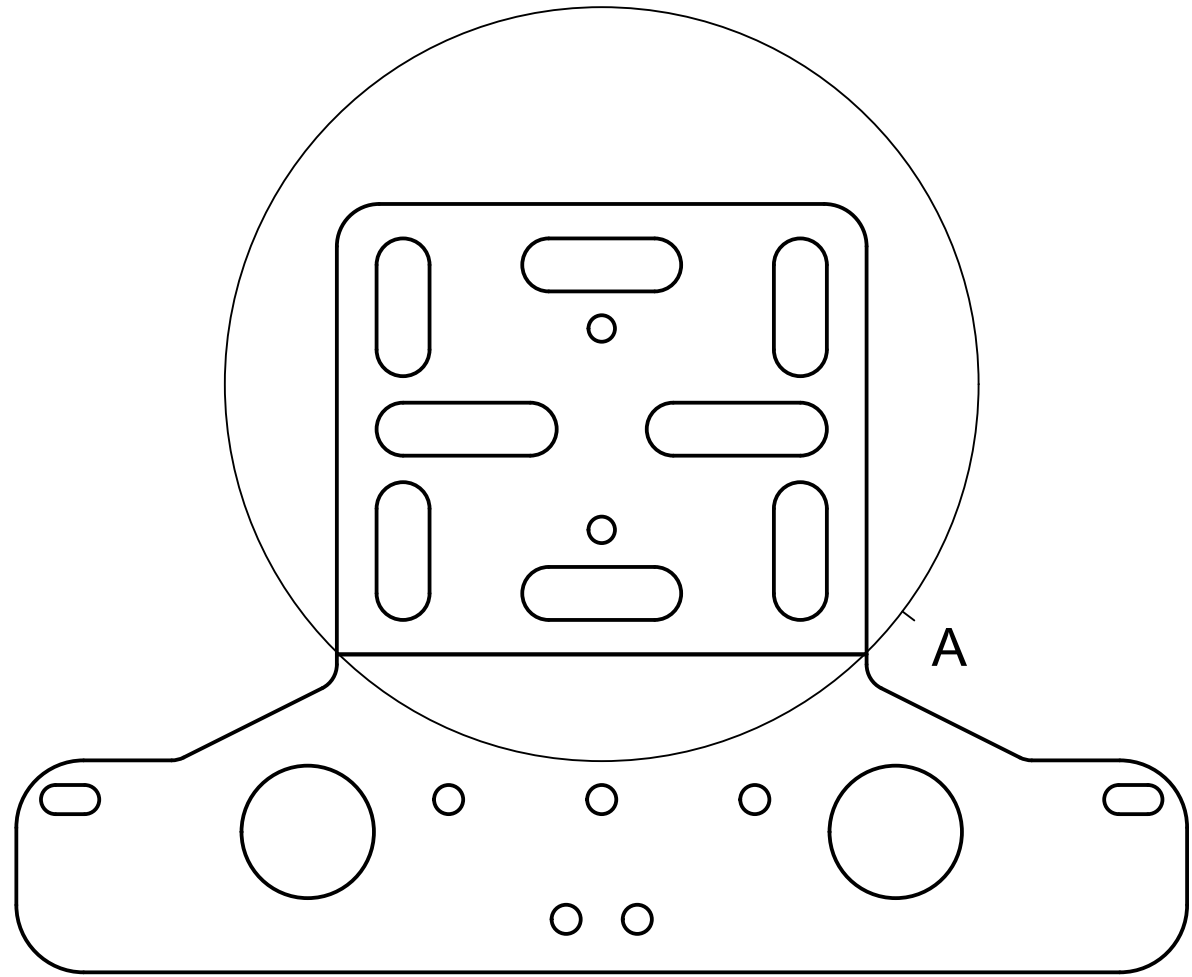
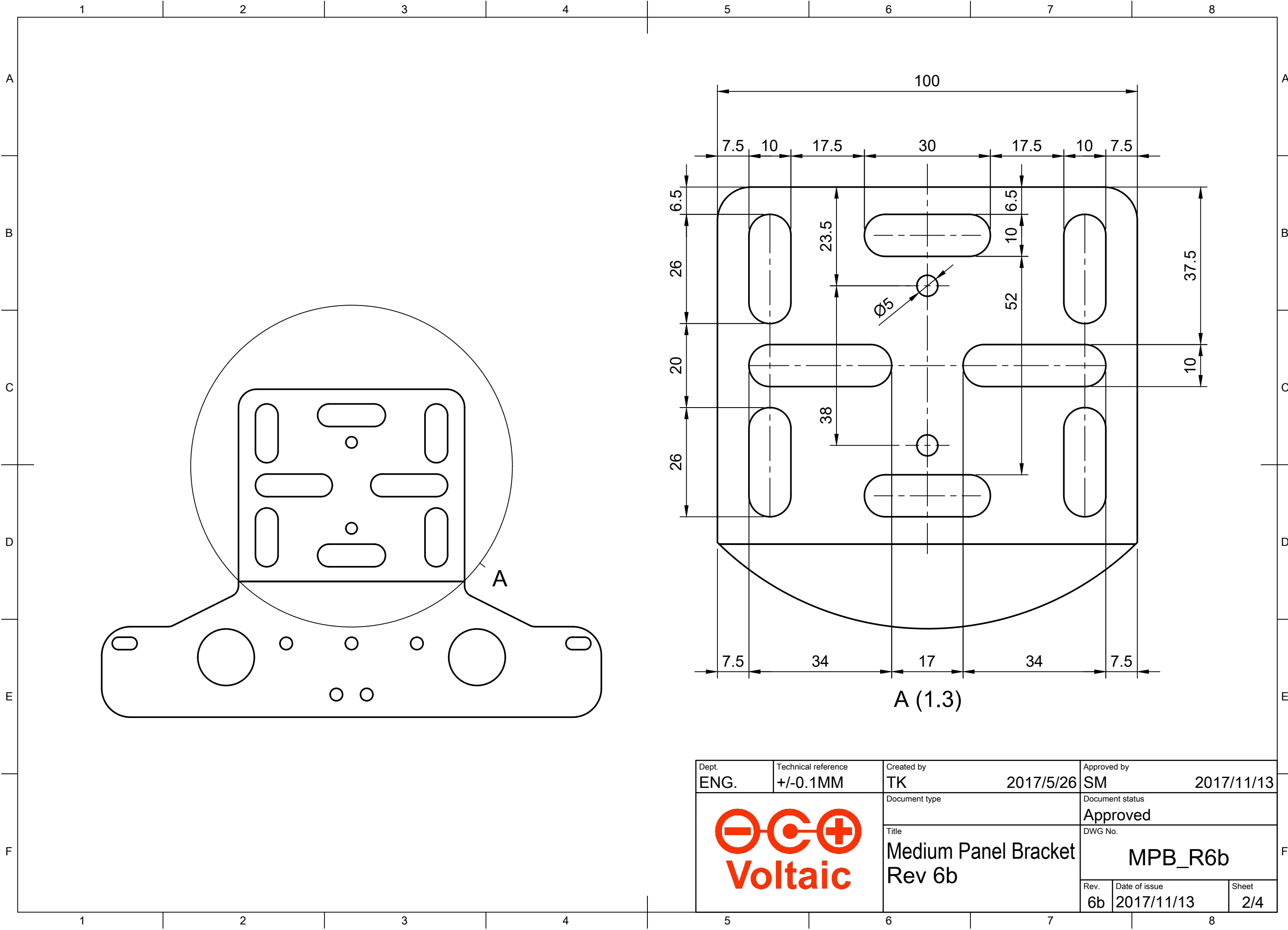
Hardware Sizing Table for Medium Panel Bracket		
Category	Minimum	Maximum
U-Bolt Thickness	N/A	3/8in [9.5mm]
Vertical Pole w/ U-Bolt	0.5in [13mm]	2.5in [63mm]
Vertical Pole w/ Pipe Clamp	2.5in [63mm]	N/A
Horizontal Pole w/ U-Bolt	0.5in [13mm]	2.0in [50mm]
Horizontal Pole w/ Pipe Clamp	2.0in [50mm]	N/A
Mounting Screws	No. 4 [M3]	No. 10 [M4.5]




NOTES

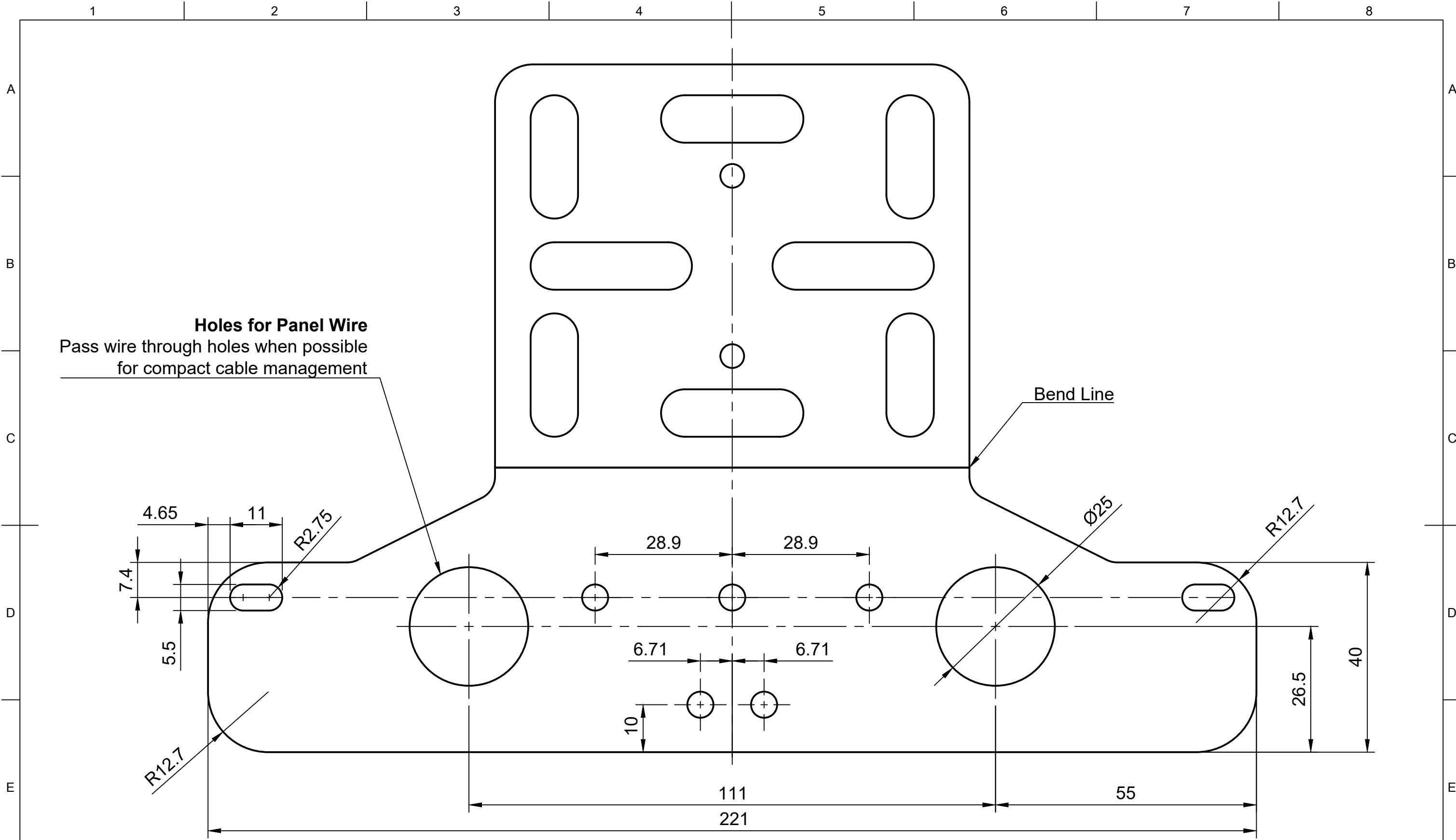
- Compatible Solar Panels: 1W (2x), 2W (2x) 3.5W, 5W, 6W, 9W (6V and 18V), 10W
- Material: 2.5mm 6061 or 6063 Aluminum Sheet Metal
- Surface Finish: Anodized Silver
- Post Nuts: Black ABS Plastic or SS316 Stainless Steel
- Recommended Hardware:
 - Mounting Plates for U-Bolts (trim extra length of U-Bolt to prevent shadow)
 - Loctite if using SS316 Stainless Steel Post Nuts
- All edges smoothed, deburred, degreased


Dept. ENG.	Technical reference +/-0.1MM	Created by TK	2017/5/26	Approved by SM	2017/11/13
		Document type	Document status Approved		
		Title Medium Panel Bracket Rev 6b	DWG No. MPB_R6b		
Rev. 6b	Date of issue 2017/11/13	Sheet 1/4			



A (1.3)

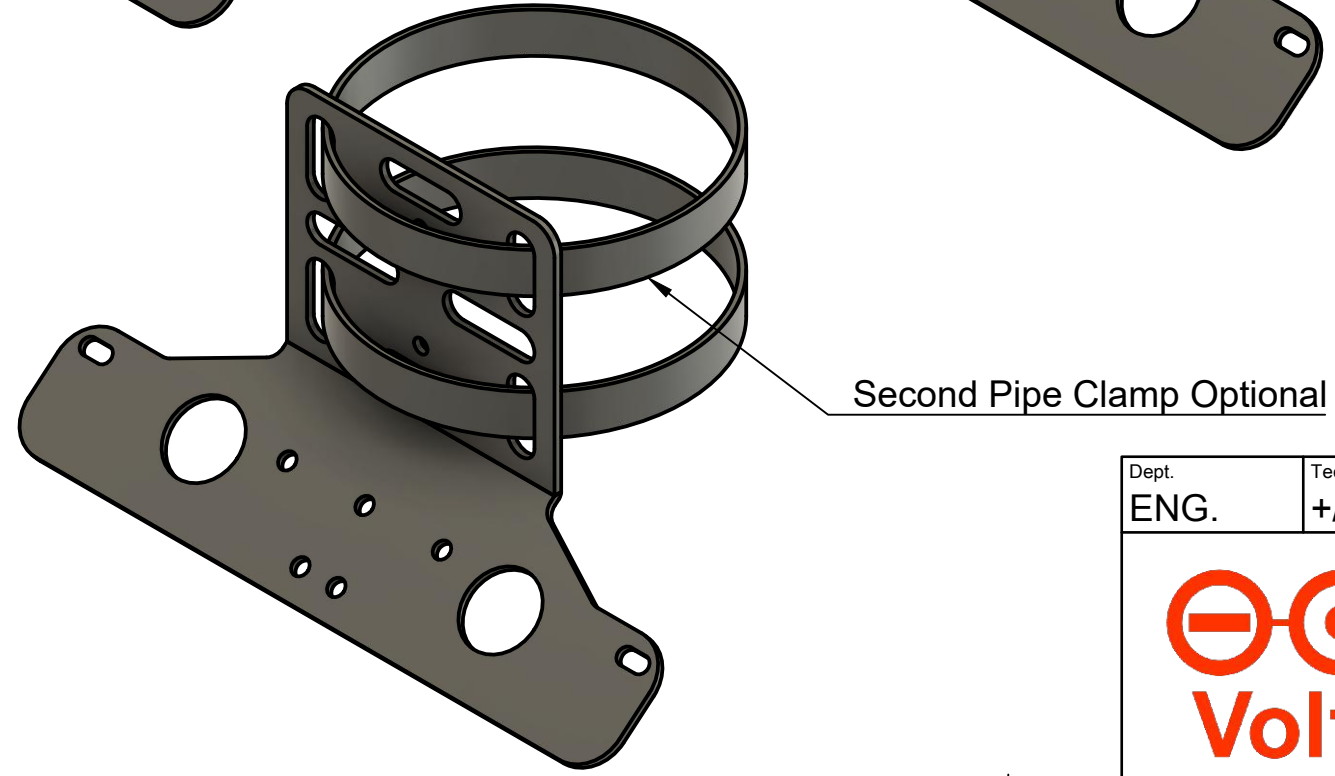
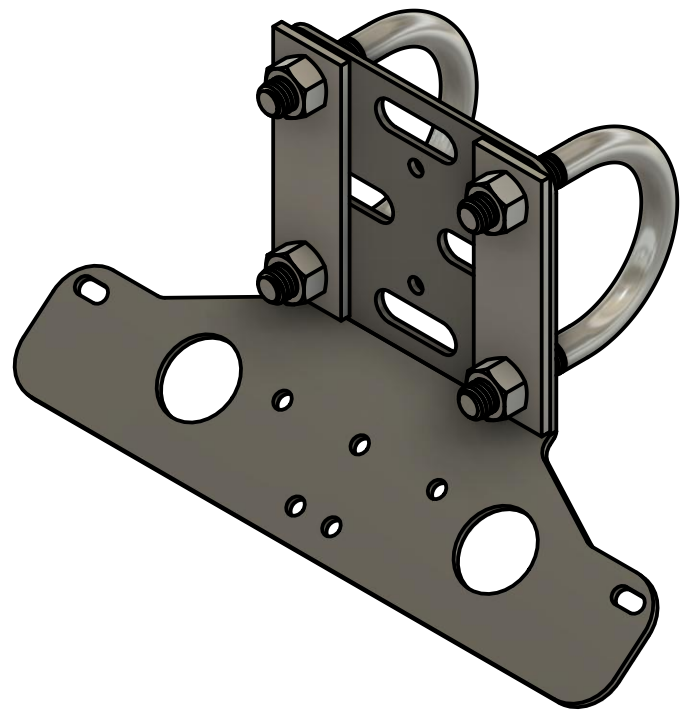
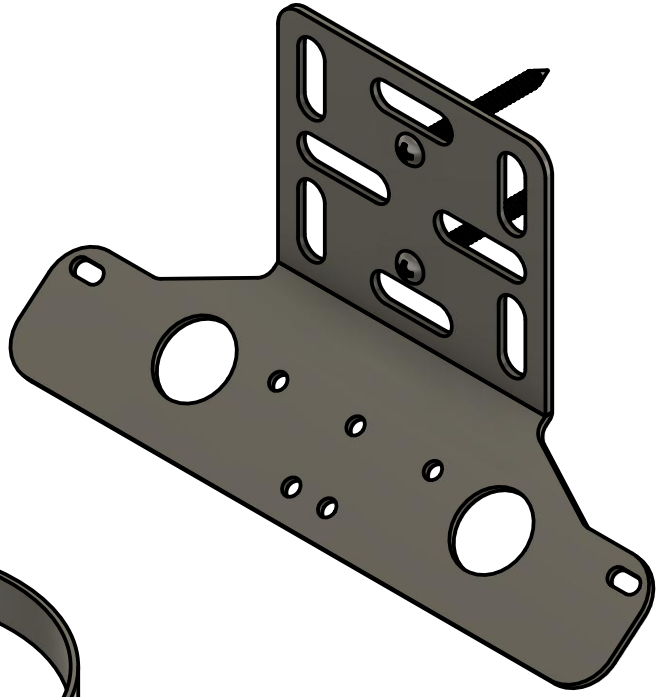
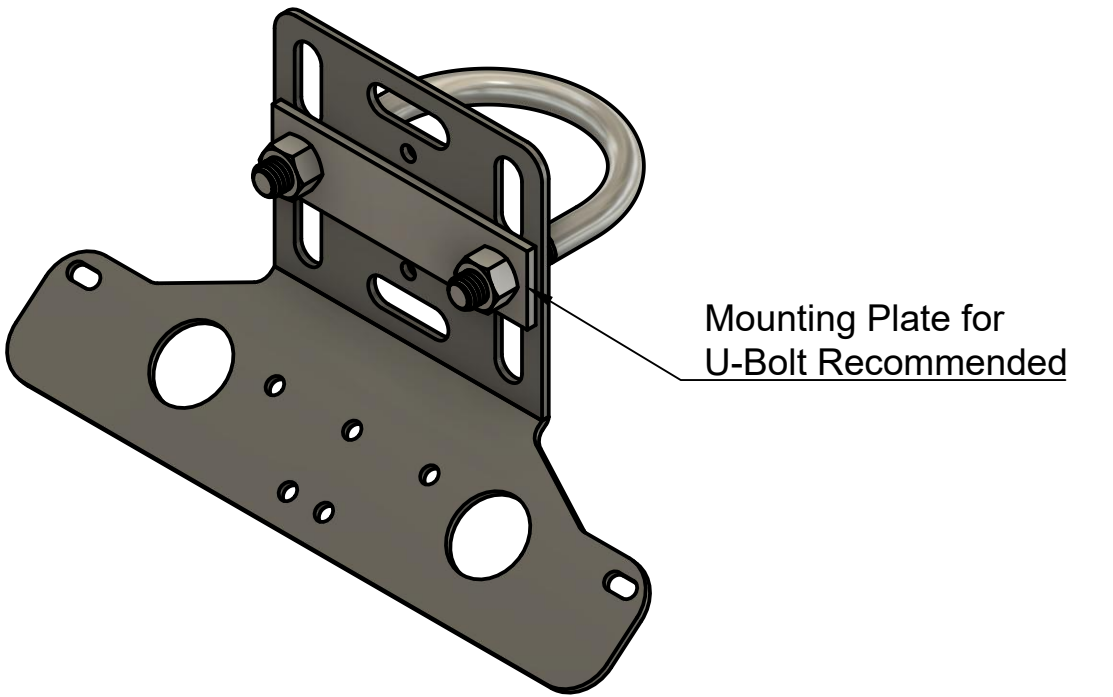
Dept. ENG.	Technical reference +/-0.1MM	Created by TK	2017/5/26	Approved by SM	2017/11/13
		Document type		Document status Approved	
		Title Medium Panel Bracket Rev 6b		DWG No. MPB_R6b	
		Rev. 6b	Date of issue 2017/11/13	Sheet 2/4	




Dept. ENG.	Technical reference +/-0.1MM	Created by TK	2017/5/26	Approved by SM	2017/11/13
		Document type		Document status Approved	
		Title Medium Panel Bracket Rev 6b		DWG No. MPB_R6b	
		Rev. 6b	Date of issue 2017/11/13	Sheet 3/4	

Hardware Sizing Table for Medium Panel Bracket

Category	Minimum	Maximum
U-Bolt Thickness	N/A	3/8in [9.5mm]
Vertical Pole w/ U-Bolt	0.5in [13mm]	2.5in [63mm]
Vertical Pole w/ Pipe Clamp	2.5in [63mm]	N/A
Horizontal Pole w/ U-Bolt	0.5in [13mm]	2.0in [50mm]
Horizontal Pole w/ Pipe Clamp	2.0in [50mm]	N/A
Mounting Screws	No. 4 [M3]	No. 10 [M4.5]



Dept. ENG.	Technical reference +/-0.1MM	Created by TK	2017/5/26	Approved by SM	2017/11/13
		Document type	Document status Approved		
		Title Medium Panel Bracket Rev 6b	DWG No. MPB_R6b		
Rev. 6b	Date of issue 2017/11/13	Sheet 4/4			