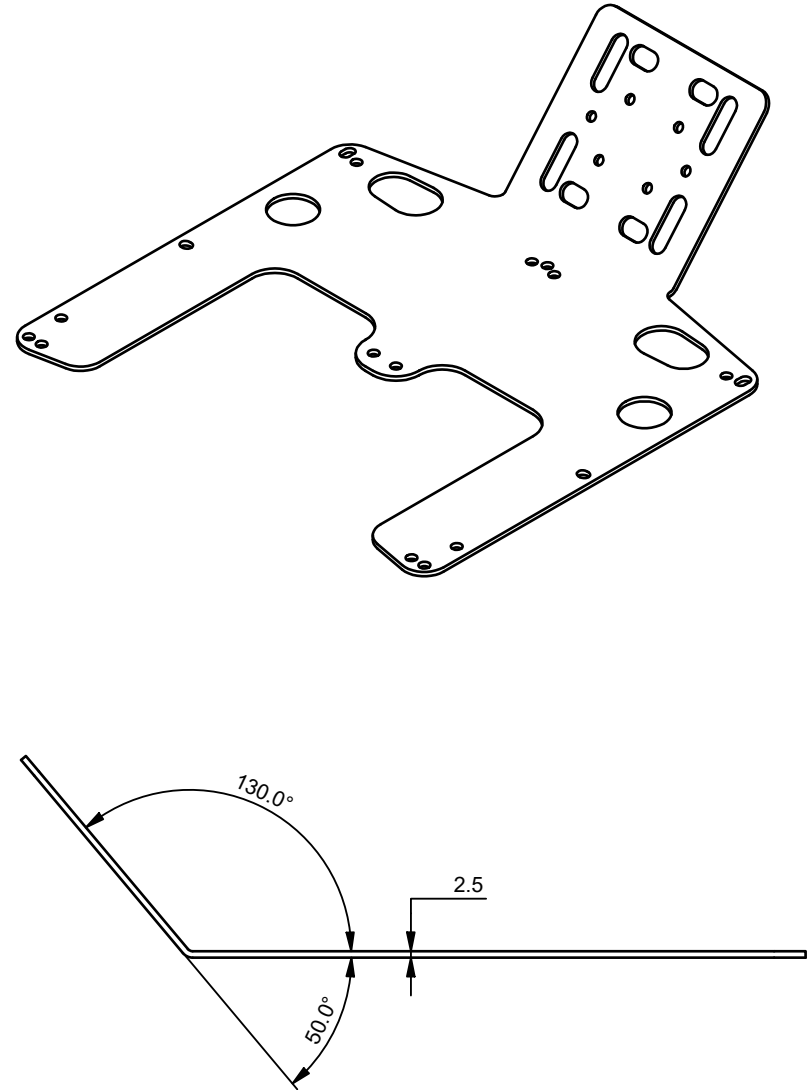
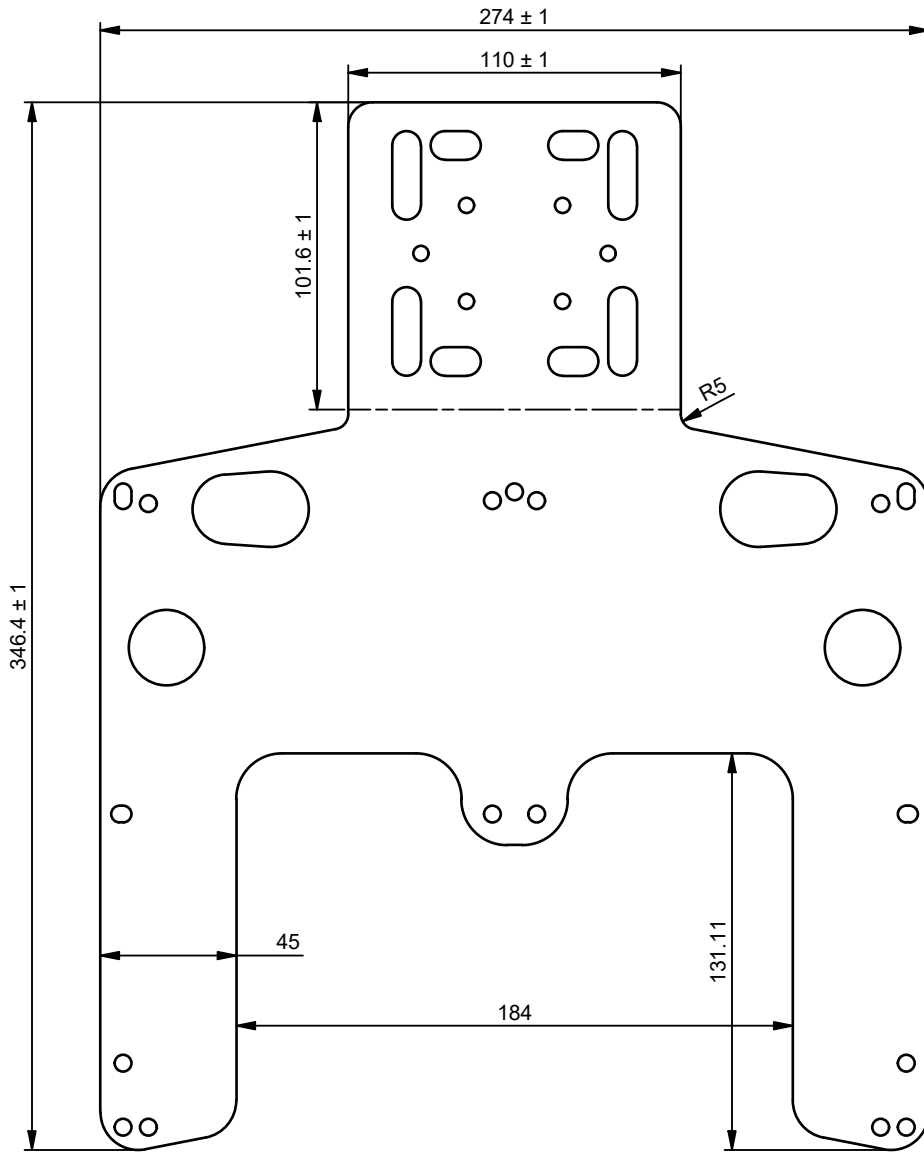


Flat Dimensions

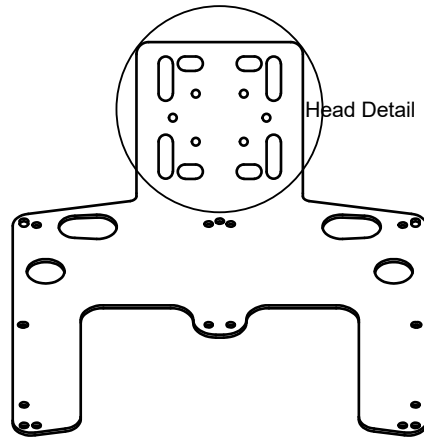
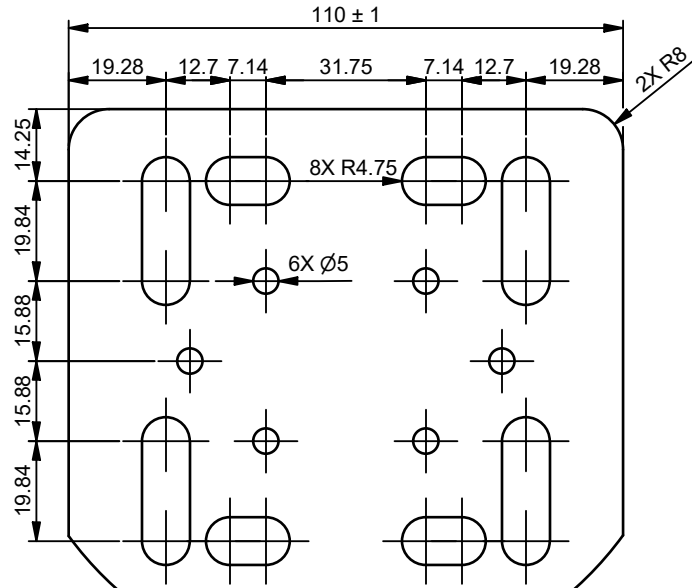


DRAWING NAME:		
K103 R6A		
UNITS:	TOLERANCE:	SHEETS:
mm	± 0.3	1/3
CREATED BY:	DATE:	
CY	2017-09-21	
REV. #	REV DATE:	CHECKED BY:
6A	2020-02-27	SM

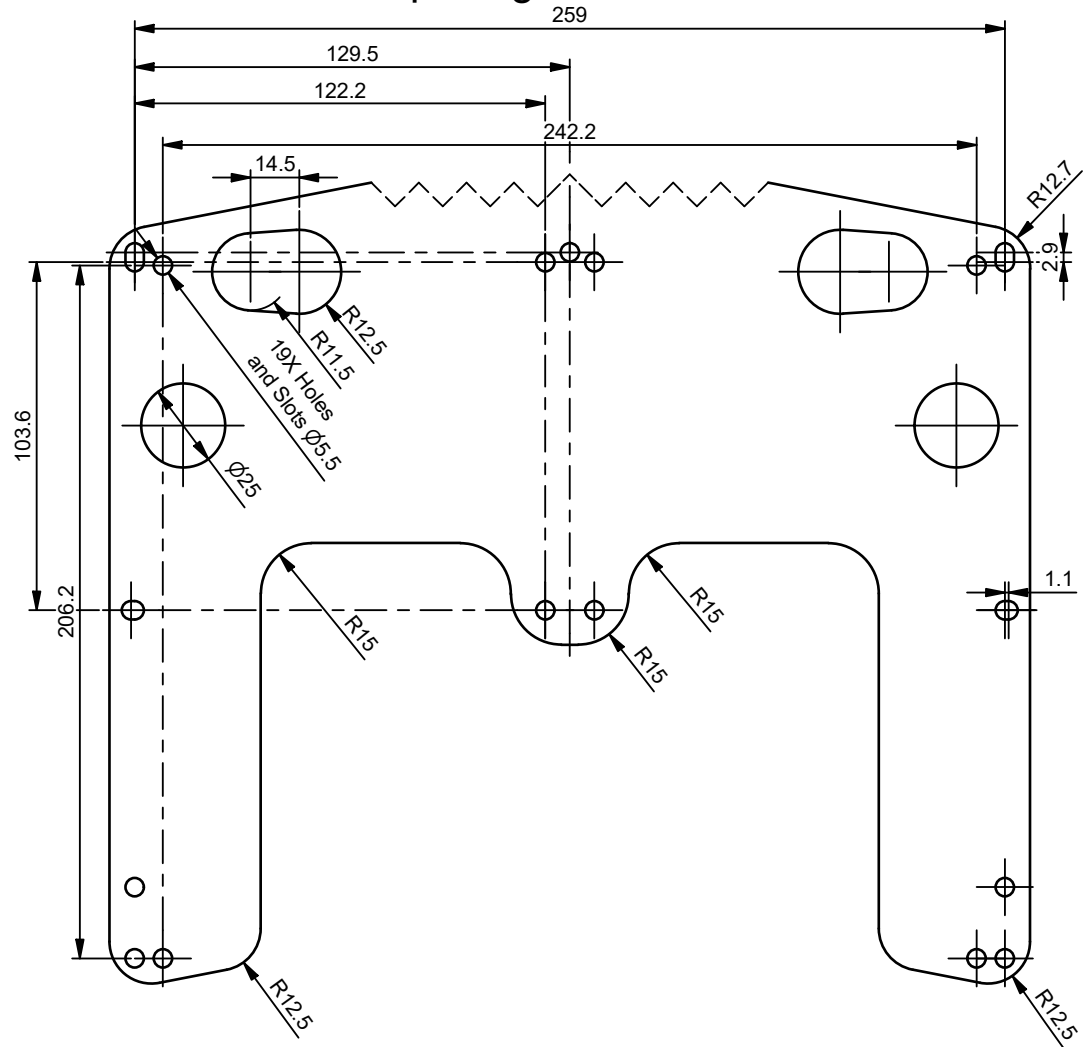
NOTES:

1. Material: RoHS compliant 2.5mm 5052 Aluminum Sheet Metal
2. Surface Finish: None
3. All edges smoothed, deburred, degreased
4. Revision 6: Increased strength of mounting plate
5. Change A: Adjusted hole sizes and plate width

Mounting Hole Details



Hole Spacings for Various Panels



DRAWING NAME:			
K103 R6A			
UNITS:	TOLERANCE:	SHEETS:	
mm	± 0.3	2/3	
CREATED BY:	DATE:		
CY	2017-09-21		
REV. #	REV DATE:	CHECKED BY:	
6A	2020-02-27	SM	

NOTES:

1. Material: RoHS compliant 2.5mm 5052 Aluminum Sheet Metal
2. Surface Finish: None
3. All edges smoothed, deburred, degreased
4. Revision 6: Increased strength of mounting plate
5. Change A: Adjusted hole sizes and plate width

Mounting Options

Hose Clamps

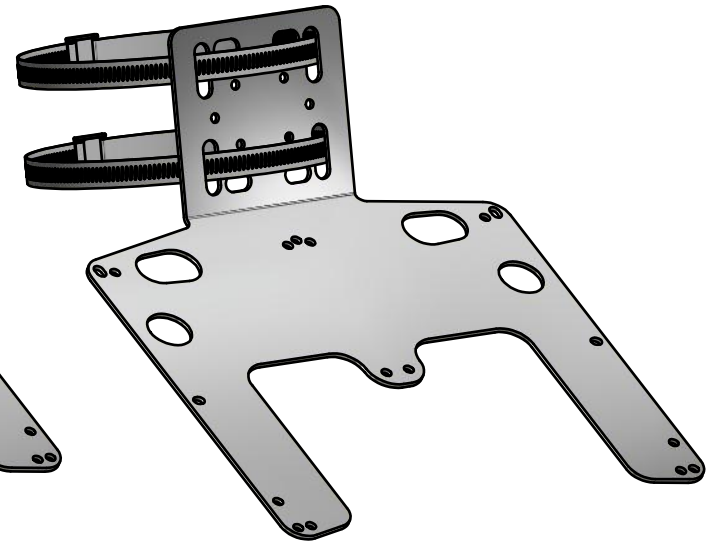
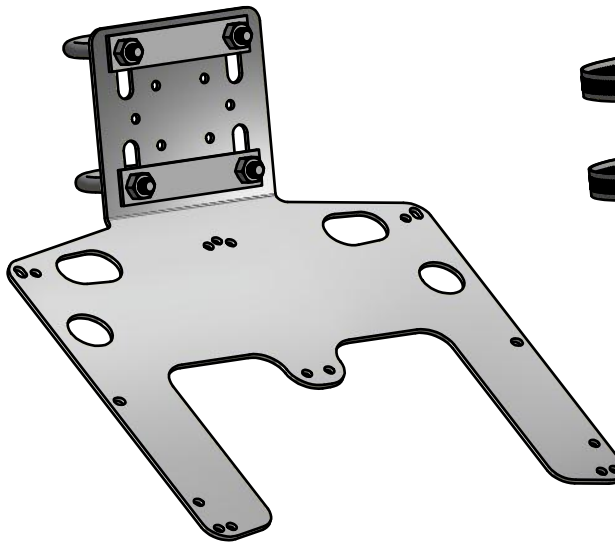
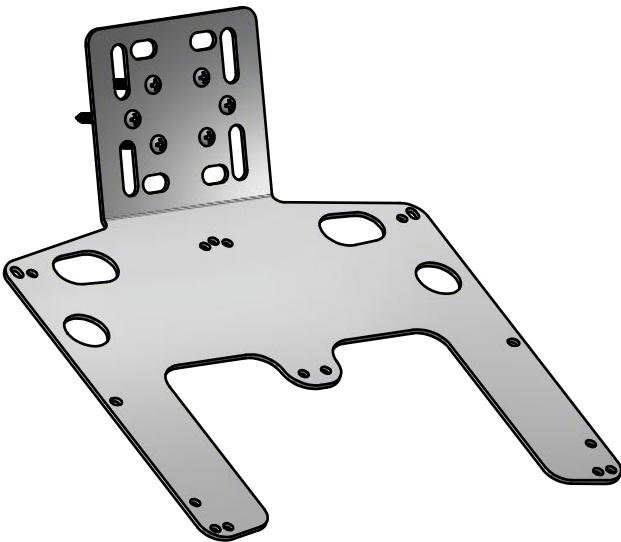
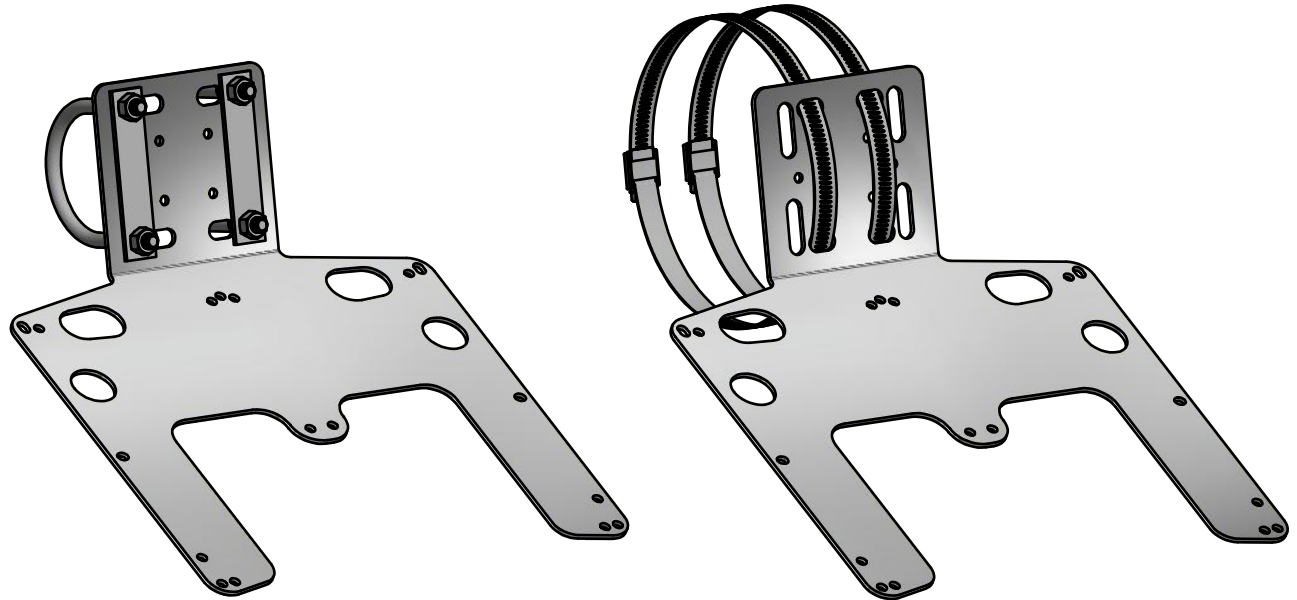
- Width: 9/16" MAX

U-Bolts

- Shaft: 5/16" MAX
- NPS Sizes: 3/4", 1/2", 1 1/4", 1 1/2", 2"

Screws

- Shaft: 5 mm MAX
- Beam Width: 2" (Nominal) MIN



DRAWING NAME:			
K103 R6A			
UNITS:	TOLERANCE:	SHEETS:	
mm	± 0.3	3/3	
CREATED BY:	DATE:		
CY	2017-09-21		
REV. #	REV DATE:	CHECKED BY:	
6A	2020-02-27	SM	

NOTES:

1. Material: RoHS compliant 2.5mm 5052 Aluminum Sheet Metal
2. Surface Finish: None
3. All edges smoothed, deburred, degreased
4. Revision 6: Increased strength of mounting plate
5. Change A: Adjusted hole sizes and plate width