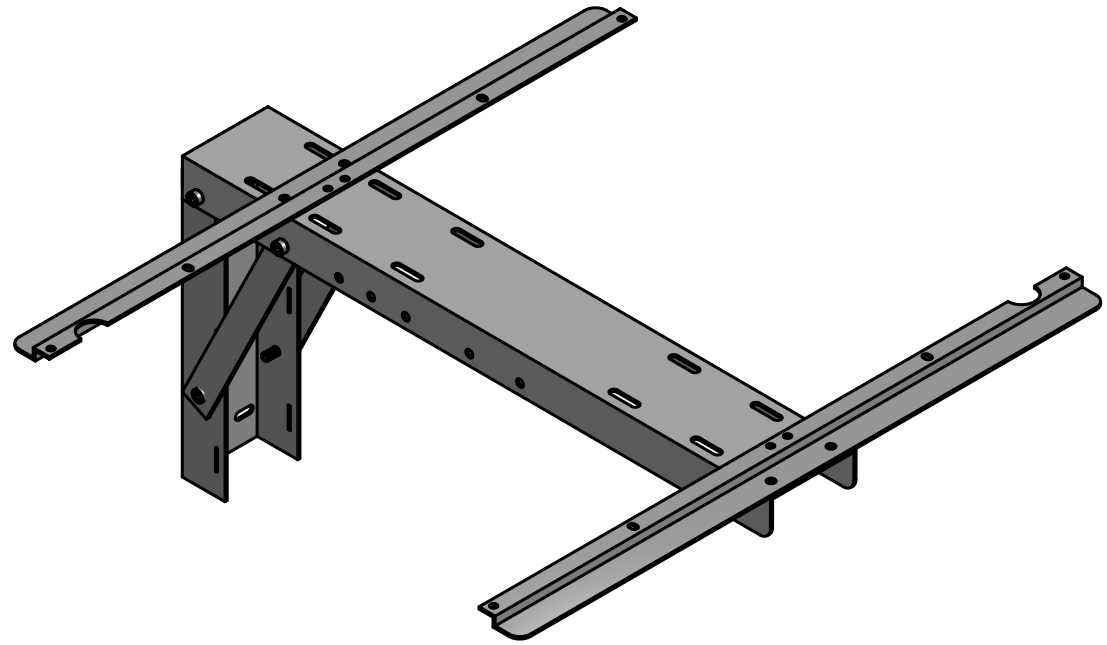


# Voltaic Systems

## Bracket BK108 R1C

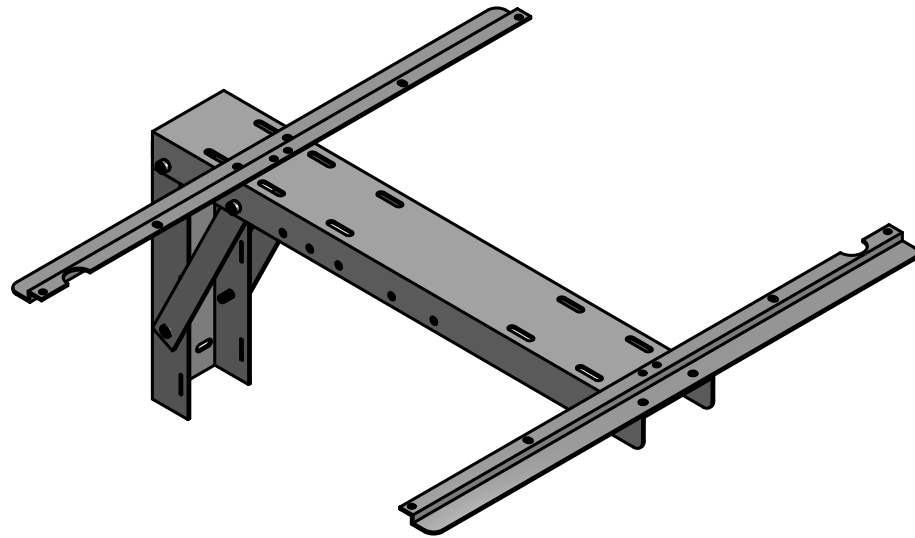
### Overview



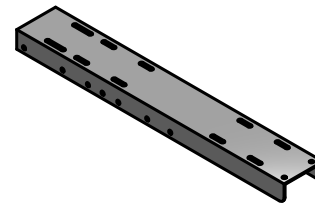
#### Solar Panel Bracket

Part#	BK108
Revision	R1C
Material	ALUMINUM
Fabrication Method	LASER CUT
Date Created	2021-11-23
Engineer	2022-06-07
Reviewed By	2021-12-06 SM
Tolerance: $\pm 0.2$ mm	Units: mm
Scale: 1:8	Sheet: 1/7

This document contains proprietary information and may not be copied or shared without the consent of Voltaic Systems



**Kit Includes:**



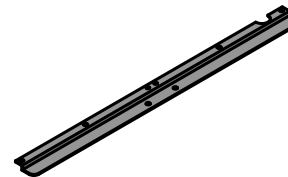
1 X CT122 R1A  
Details Page 3



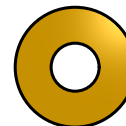
2 X CT123 R1A  
Details Page 5



1 X CT124 R1A  
Detail Page 6



2 X CT125 R1A  
Details Page 4



2 x Metal washer for M6  
Screw Size 6.4 mm ID  
2mm Thick



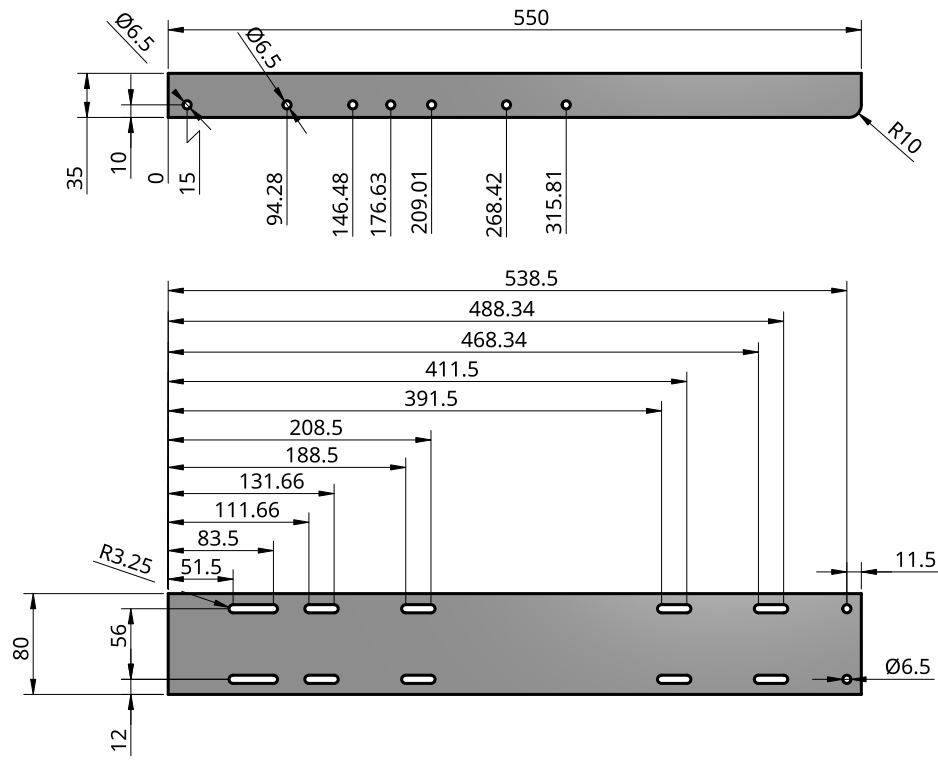
10 X Socket Head Screw M6 x  
16 mm Long with M6 Lock  
Nut



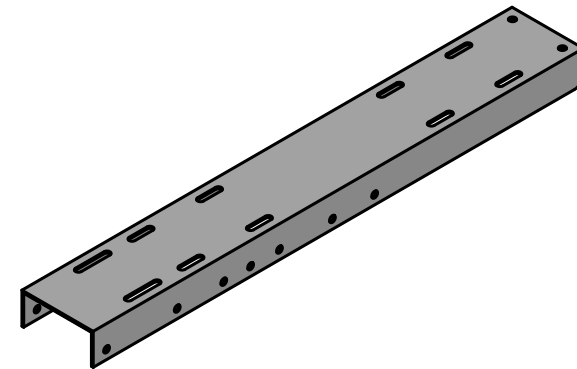
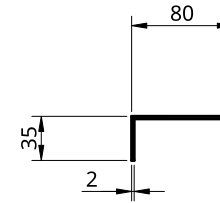
**Solar Panel Bracket**

Part#	BK108
Revision	R1C
Material	ALUMINUM
Fabrication Method	LASER CUT
Date Created	2021-11-23
Engineer	2022-06-07
Reviewed By	2021-12-06 SM
Tolerance: ±0.2 mm	Units: mm
Scale: 1:8	Sheet: 2/7

# CT122



From a Standard Aluminum U-Channel

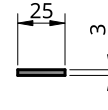
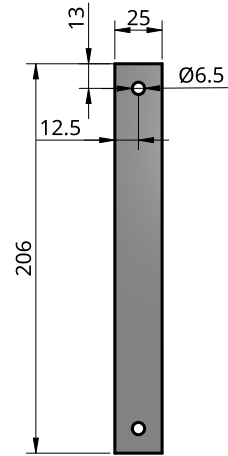


## Solar Panel Bracket

Part#	BK108
Revision	R1C
Material	ALUMINUM
Fabrication Method	LASER CUT
Date Created	2021-11-23
Engineer	2022-06-07
Reviewed By	2021-12-06 SM
Tolerance: ±0.2 mm	Units: mm
Scale: 1:8	Sheet: 3/7

This document contains proprietary information and may not be copied or shared without the consent of Voltaic Systems

# CT123

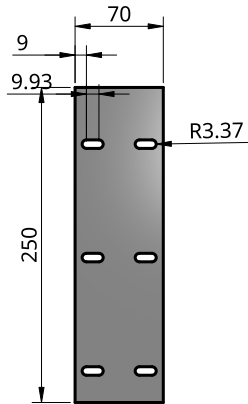


## Solar Panel Bracket

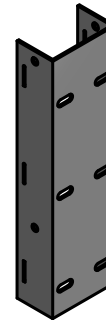
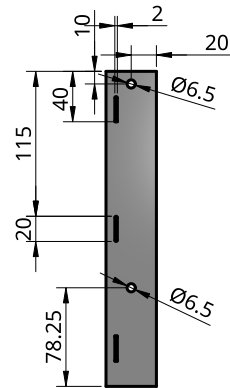
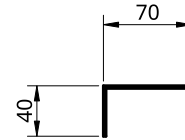
Part#	BK108
Revision	R1C
Material	ALUMINUM
Fabrication Method	LASER CUT
Date Created	2021-11-23
Engineer	2022-06-07
Reviewed By	2021-12-06 SM
Tolerance: $\pm 0.2$ mm	Units: mm
Scale: 1:8	Sheet: 4/7

This document contains proprietary information and may not be copied or shared without the consent of Voltaic Systems

# CT124



From a Standard Aluminum U-Channel

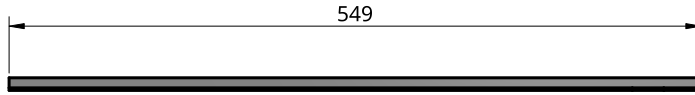


## Solar Panel Bracket

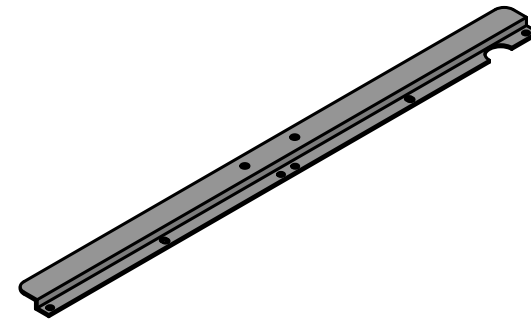
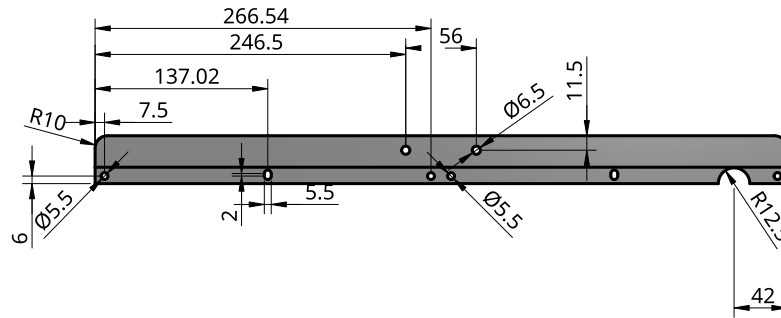
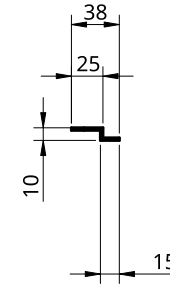
Part#	BK108
Revision	R1C
Material	ALUMINUM
Fabrication Method	LASER CUT
Date Created	2021-11-23
Engineer	2022-06-07
Reviewed By	2021-12-06 SM
Tolerance: $\pm 0.2$ mm	Units: mm
Scale: 1:8	Sheet: 5/7

This document contains proprietary information and may not be copied or shared without the consent of Voltaic Systems

# CT125



From a Standard Aluminum Z-Bar



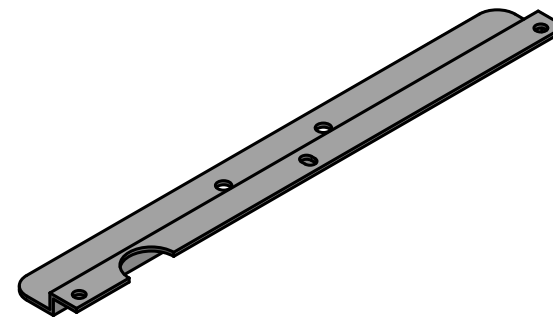
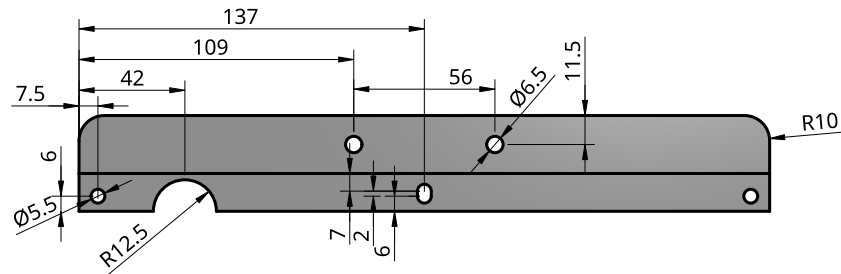
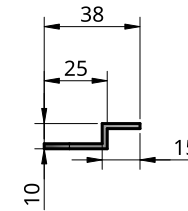
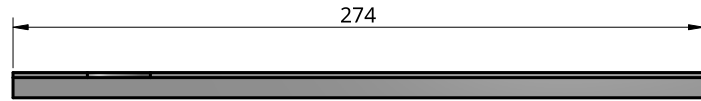
## Solar Panel Bracket

Part#	BK108
Revision	R1C
Material	ALUMINUM
Fabrication Method	LASER CUT
Date Created	2021-11-23
Engineer	2022-06-07
Reviewed By	2021-12-06 SM
Tolerance: $\pm 0.2$ mm	Units: mm
Scale: 1:8	Sheet: 6/7

This document contains proprietary information and may not be copied or shared without the consent of Voltaic Systems

# CT126

From a Standard Aluminum Z-Bar



## Solar Panel Bracket

Part#	BK108
Revision	R1C
Material	ALUMINUM
Fabrication Method	LASER CUT
Date Created	2021-11-23
Engineer	2022-06-07
Reviewed By	2021-12-06 SM
Tolerance: $\pm 0.2$ mm	Units: mm
Scale: 1:8	Sheet: 7/7

This document contains proprietary information and may not be copied or shared without the consent of Voltaic Systems