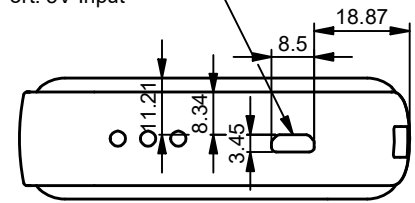


Top

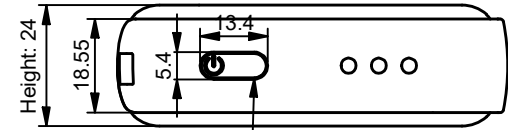
LED Charge indicators (x4):  
Flash in sequence when charging.

Micro-USB Port: 5-8V Input

USB-C Port: 5V Input

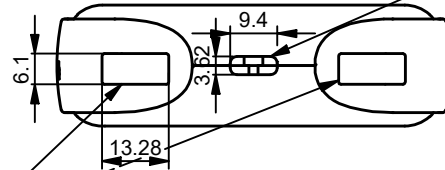


Right



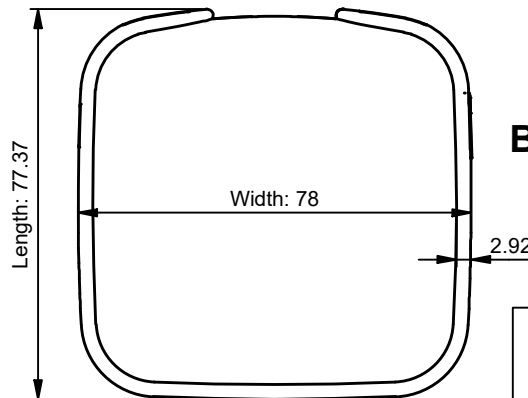
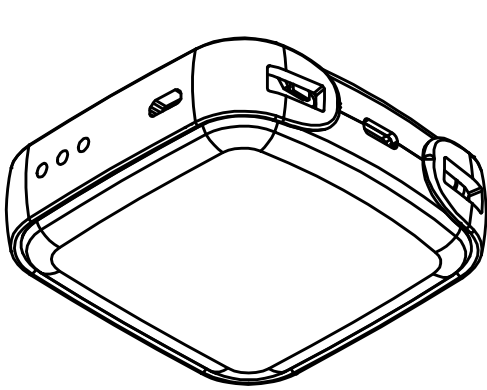
Left

Charge Indicator Button



Front

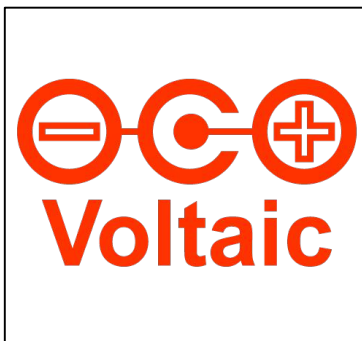
USB-A Ports: 5V Output



Bottom

**NOTES:**

1. All materials RoHS compliant
2. Material: Fire resistant ABS



**FILE DETAILS**

PRODUCT NAME:			
<b>V25 USB Powerbank</b>			
DWG. NO.:			R1B
DWG. TYPE:			Production
SCALE:	UNITS:	TOLERANCE:	SHEET:
1:1.5	MM	±0.1mm	1
CREATED BY:		DATE:	
ME		2020-02-20	
REV.	CHANGE:	DATE:	CHK'D BY:
1	B	2020-02-20	

This document contains proprietary information and should not be copied or shared without the consent of Voltaic Systems.