
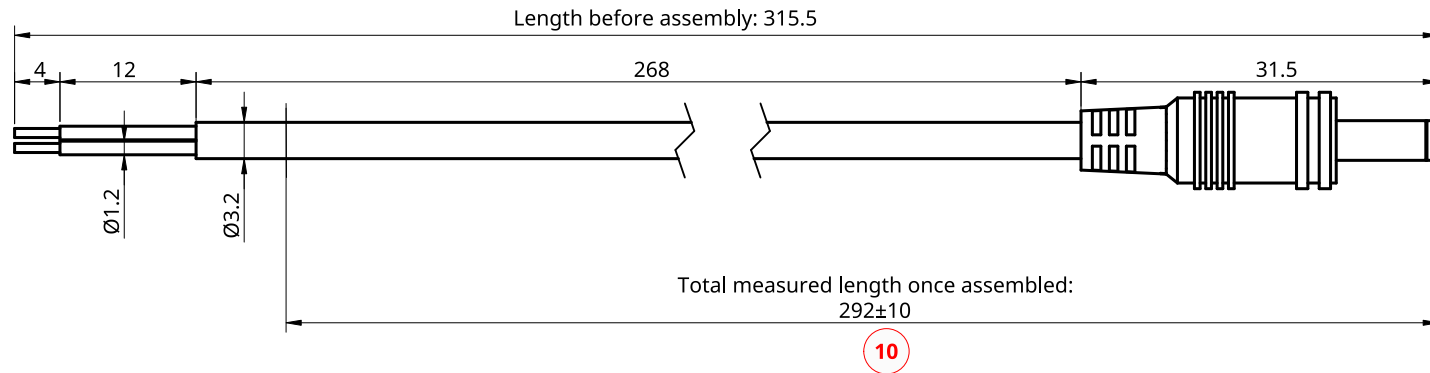
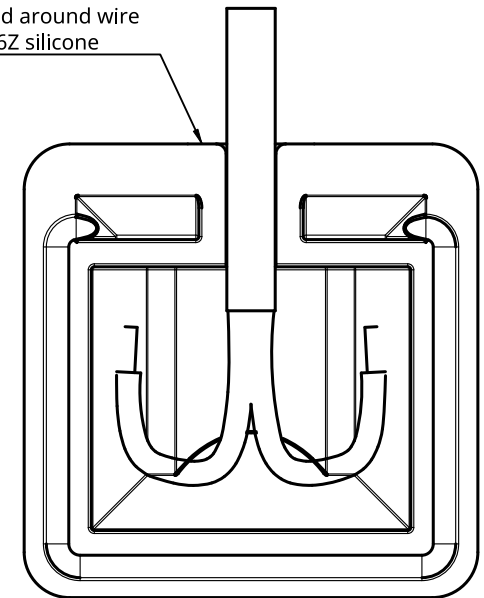


- REMARKS
1. All dimensions to panel edge include EVA overlap unless otherwise specified.
 2. "####" etching refers to Voltaic's PO# for traceability
 3. Note the red circled inspection items

	Drawing Details		Construction		Power Specifications				
	Panel Number	P126	All Materials RoHS Compliant		Output Tolerance: $\pm 10\%$ of Voltage and Current				
	Revision	R1L	Substrate	DOUBLE SIDED PCB	Solar Cell: SUNPOWER MAXEON GEN V $\varnothing 211$ Ln				
	Engineer	MC	Encapsulant	EVA F806P	Nominal Efficiency: $21.5\% \leq$		Cell Pieces		24
	Approval	SM 2022-12-15	Top Layer	R045E ETFE	Panel Electrical Rating		Nominal	Expected	
	Date Created	2021-01-18	Top Layer Pattern	ETFE MINIMAL	Open-Circuit Voltage	Voc	8.59	8.34	V
	Date Modified	2023-01-17	Wire Number	W017	Voltage at Max Power	Vp	7.09	6.84	V
	Changes	LN CELL	Measured Wire Length	292	Short-Circuit Current	Isc	0.37	0.33	A
This document contains proprietary information and may not be copied or shared without the consent of Voltaic Systems	Tolerance: ± 0.3 mm	Units: mm	Strain Relief	J-BOX	Current at Max Power	Ip	0.34	0.29	A
	Scale: 1:1.6	Sheet: 1/3	Attachment	NONE	Maximum Power	Wp	2.38	2.01	W



Interior and around wire
with HT906Z silicone

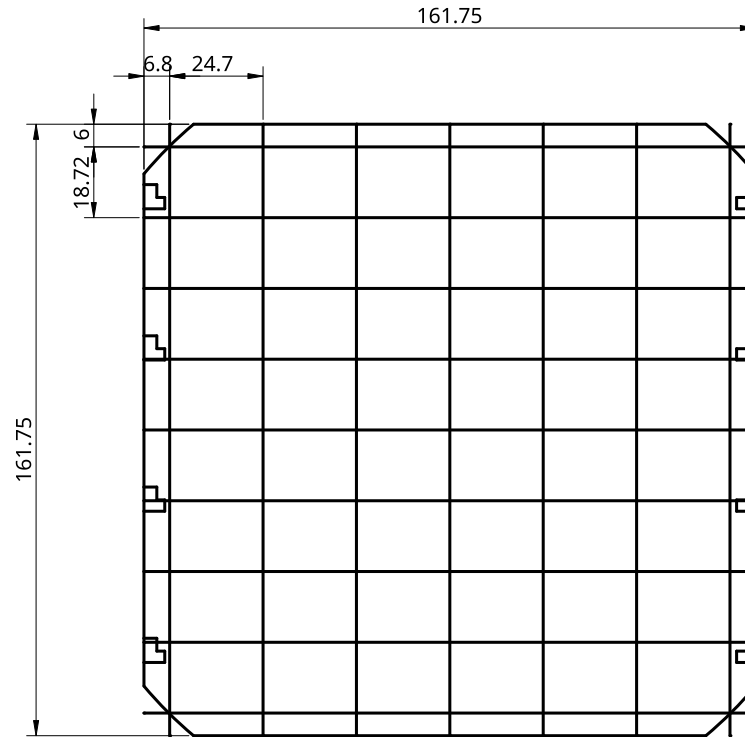


Assembly to J-Box



This document contains proprietary information and may not be copied or shared without the consent of Voltaic Systems

Drawing Detail		Construction	
Wire Number	W017	All Materials RoHS Compliant	
Revision	R1B	Length	315mm
Engineer	RO	Gauge	22 AWG
Approval	SM 2022-01-25	Connector	M3511
Date Created	2021-01-18	Crimp	N/A
Date Modified	2023-01-17	Jacket Color	RED
Changes	LENGTH	Jacket Material	PU
Tolerance per mm	Length > 30mm: ± .04 mm	Insulator Colors	RED & BLACK
	Length < 30mm: ±.15 mm	Insulator Material	PVC
	Diameter: ± .03 mm	Scale: 1:8	Sheet: 2/3



Cell Cut Diagram

Cell	SUNPOWER MAXEON GEN V Ø211
Cell Efficiency	>21.5%
Panel Reference	P126
Panel Revision	R1L
Date Created	2021-01-18
Date Modified	2023-01-17
Approval	SM 2022-12-15SM 2022-12-15
Tolerance: ±0.3 mm	Units: mm
Scale: 1:8	Sheet: 3/3



This document contains proprietary information and may not be copied or shared without the consent of Voltaic Systems