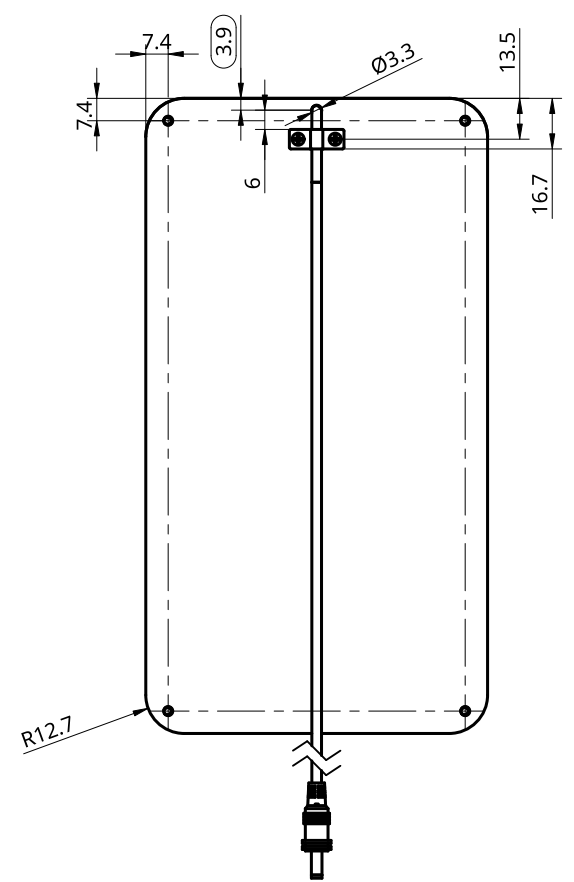


Total thickness: 5±1

Substrate thickness: 3

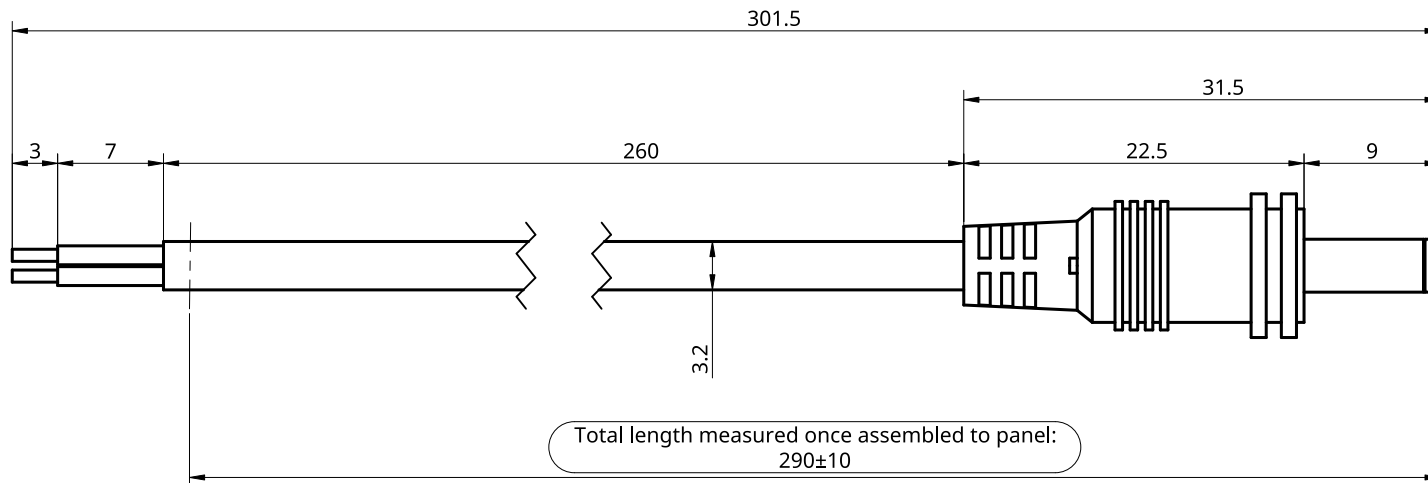
Screws: 4.6

Countersunk Mounting Screws [x4]
 Thread: 4-40
 Material: SS316
 Length: 7.9mm [Total]



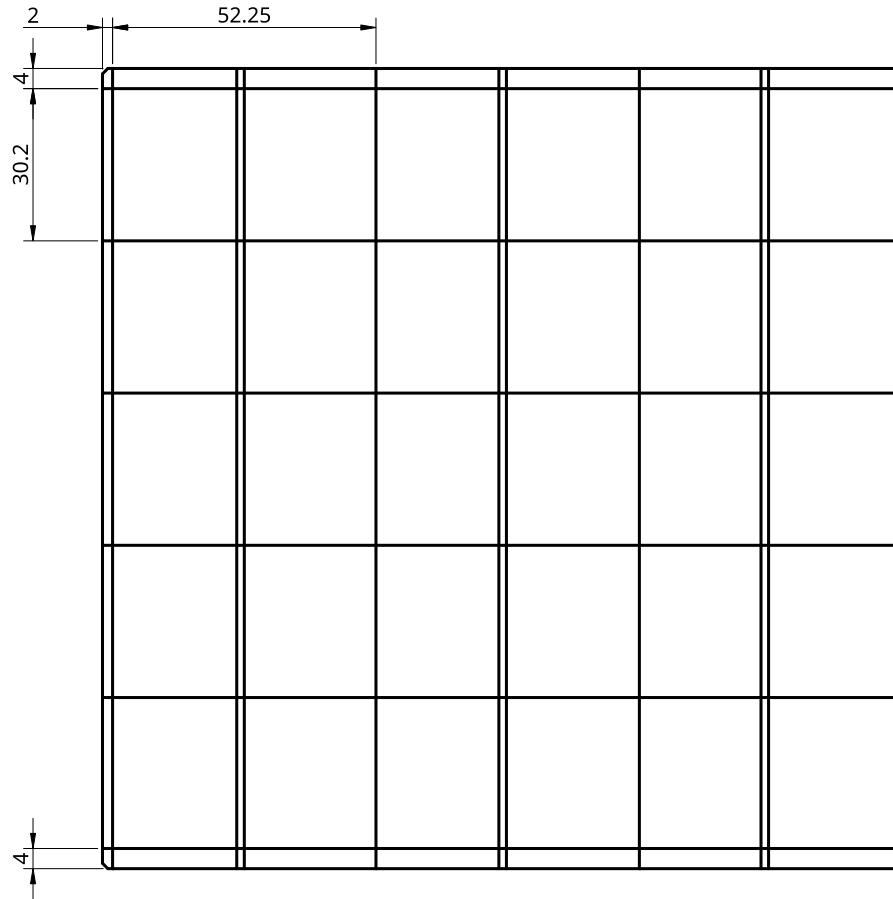
This document contains proprietary information and may not be copied or shared without the consent of Voltaic Systems

Drawing Details		Construction		Power Specifications				
Panel Number	P103	All Materials RoHS Compliant		Output Tolerance: ± 10% of Voltage and Current				
Revision	2E	Substrate	SILVER/CHARCOAL APC	Solar Cell: EEPV EE6F3B 3BB G1-V				
Engineer	ME	Encapsulant	URETHANE	Nominal Efficiency: 20.7%≤	Cell Pieces		12	
Approval	SM 2021-04-26	Top Layer	URETHANE	Panel Electrical Rating		Nominal	Expected	
Date Created	2021-02-08	Wire Number	W017	Open-Circuit Voltage	Voc	7.67	7.38	V
Date Modified	2021-05-05	Measured Wire Length	290	Voltage at Max Power	Vp	6.61	6.28	V
Changes	G1-V CELLS AND HOLE LOCATION	Strain Relief	K104	Short-Circuit Current	Isc	0.62	0.61	A
Tolerance: ±0.3 mm	Units: mm	Attachment	4-40 SS SCREWS	Current at Max Power	Ip	0.59	0.56	A
Scale: 1:2	Sheet: 1/3			Maximum Power	Wp	3.91	3.52	W



Drawing Detail		Construction	
Wire Number	W017	All Materials RoHS Compliant	
Revision	R1A	Length	301.5mm
Engineer	ME	Gauge	22 AWG
Approval	SM 2021-04-26	Connector	M3511
Date Created	2021-02-08	Crimp	N/A
Date Modified	2021-05-05	Jacket Color	RED
Changes	STRIPPED LENGTH	Jacket Material	PU
Tolerance per mm	Length > 30mm: ± .04 mm	Insulator Colors	RED & BLACK
	Length < 30mm: ±.15 mm	Insulator Material	PVC
	Diameter: ± .03 mm	Scale: 1:6	Sheet: 2/3

This document contains proprietary information and may not be copied or shared without the consent of Voltaic Systems



Cell Cut Diagram

Cell	EEPV EE6F3B 3BB G1-V
Cell Efficiency	>20.7%
Panel Reference	P103
Panel Revision	2E
Date Created	2021-02-08
Date Modified	2021-05-05
Approval	SM 2021-04-26
Tolerance: ± 0.3 mm	Units: mm
Scale: 1:1.5	Sheet: 3/3

This document contains proprietary information and may not be copied or shared without the consent of Voltaic Systems